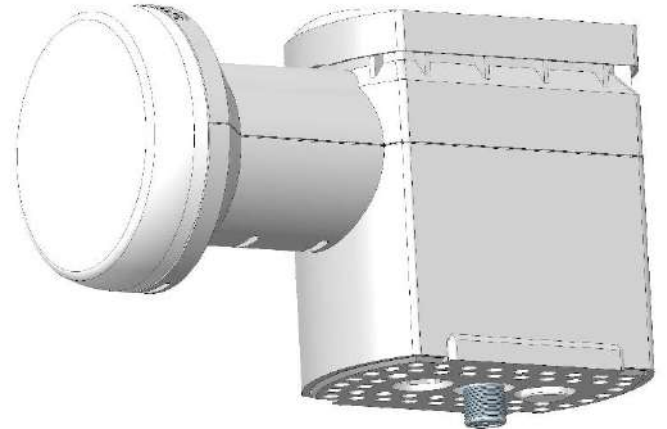


### Optical Feeding System

- The only optical LNB on the market
- Suitable for satellite antennas with a 40 mm LNB receiver (KEA 650/750/850/1000)
- Optical output via FC/APC connection
- Integrated AGC control
- Power supply via F-socket with NCF 18 (not included in the scope of delivery)



### Technical Data:

Type:	KEL 1310/O
Order No.:	201500005
Wavelength:	1310 nm
Input Frequency:	10,70 – 12,75 GHz
Gain:	55 dB
Output Frequency:	300 – 2350 MHz
Oscillator Frequency (L.O.):	10,4 GHz
Optical Output power::	typ. +4 dBm
Supply voltage:	10 – 20 V
Power consumption:	max. 4 W
Optical Output::	FC/APC
Dimensions of LNB mount:	Ø 40 mm
Permissible. Ambient temperature:	-30 +60 °C
Dimensions (W x H x D):	141 x 89 x 63 mm
Packaging unit/Weight:	1/0,35 St./kg

